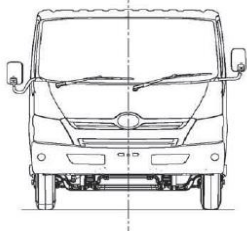
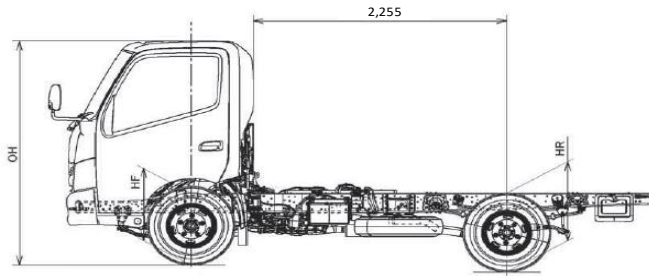
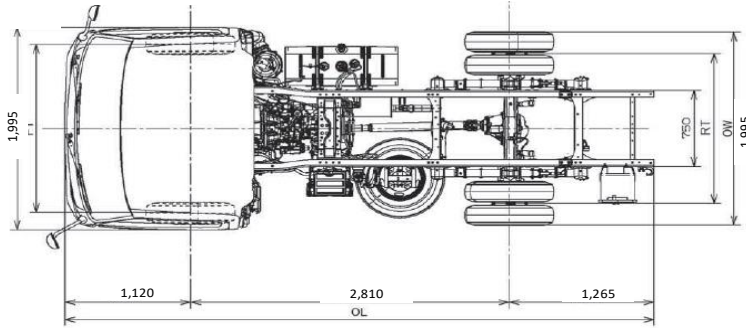




TOYOTA TSUSHO AMERICA, INC.
2.5M3 REAR DUMP W/DROP SIDE
XZU700R-WKMMJ3 (EURO 3)

DIMENSIONS (mm)



Specifications

Engine Type	Diesel, 4 cycles, 4 Cylinders, In-Line, Water Cooled
Engine Power	116ps / (ISO Gross) @ 2,500rpm
Displacement	4,009 cc
Fuel Injection pump	Elec. Control Common Rail
Load Capacity	2.3 Tons
Max. Speed	110 Km/h
Gradeability	44.4%
GVWR	5,500 kgs.
Steering	Power Steering
Service Brakes	Front: Disc Brake Rear: Drum w/Auto Adjuster ABS: Equipped
Transmission	5 forward + reverse, Overdrive, Synchronesh 1st-5th
Wheelbase	2,810 mm
Tires	7.00R16-10 PR, RIB Type
Warranty	3 Years or 100,000 Kms.

Included Options:

- Air Conditioner
- Back Buzzer
- Fog Lamps
- AM/FM w/USB ,AUX, Bluetooth Radio
- Power Window/Lock

Rear Body Basic Specs:

Vessel Type	Rear Dump w/Drop Side
Volume	2.5 m ³
Suitable for	Mud, Sand, Gravel (less than 50mm)

CAB INTERIOR

